

Heki 2

Art. 1127

Content
Ordering Details
Technical Drawings
Spare Parts Acrylic Dome
Spare Parts Exterior Frame
Spare Parts Interior Frame

Ordering Details Heki 2

Art. 1127

Type: HEKI 2

Ordering Size: Aperture
960 x 655 mm

Roof Thickness: mm (25 to 60 mm)

Colours:	Frames	Darkening Blind	Flynet
<input type="radio"/>	RAL 7035 / light grey *	fabric Space grey	black
<input type="radio"/>	RAL 1015 / ivory *	fabric Space cream	black
<input type="radio"/>	RAL 9001 / cream	fabric Space cream	black

Glazing Dome: Acrylics grey tinted, double-glazed

Version:	Part. No. Customer
<input type="radio"/> for manufacturer incl. assembly parts
<input type="radio"/> for accessory roof thickness 25-32 (single package)

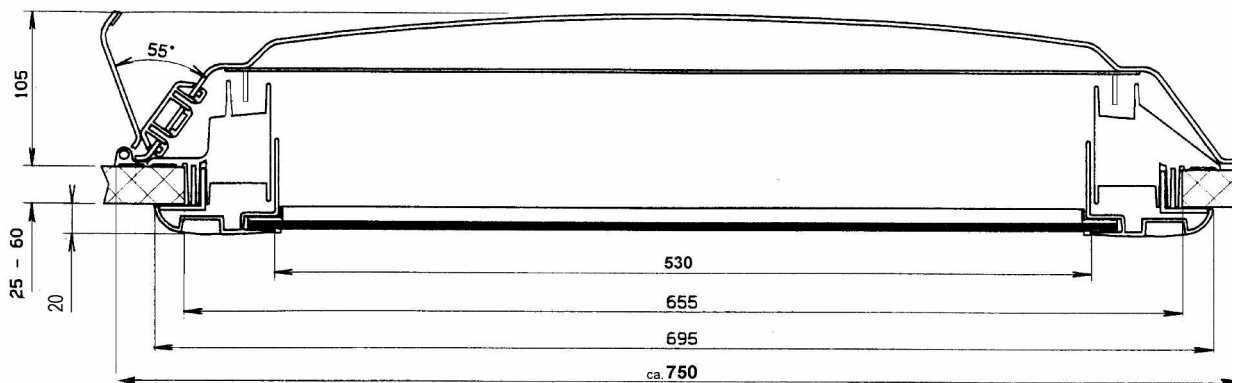
Customer: _____

Remarks: _____

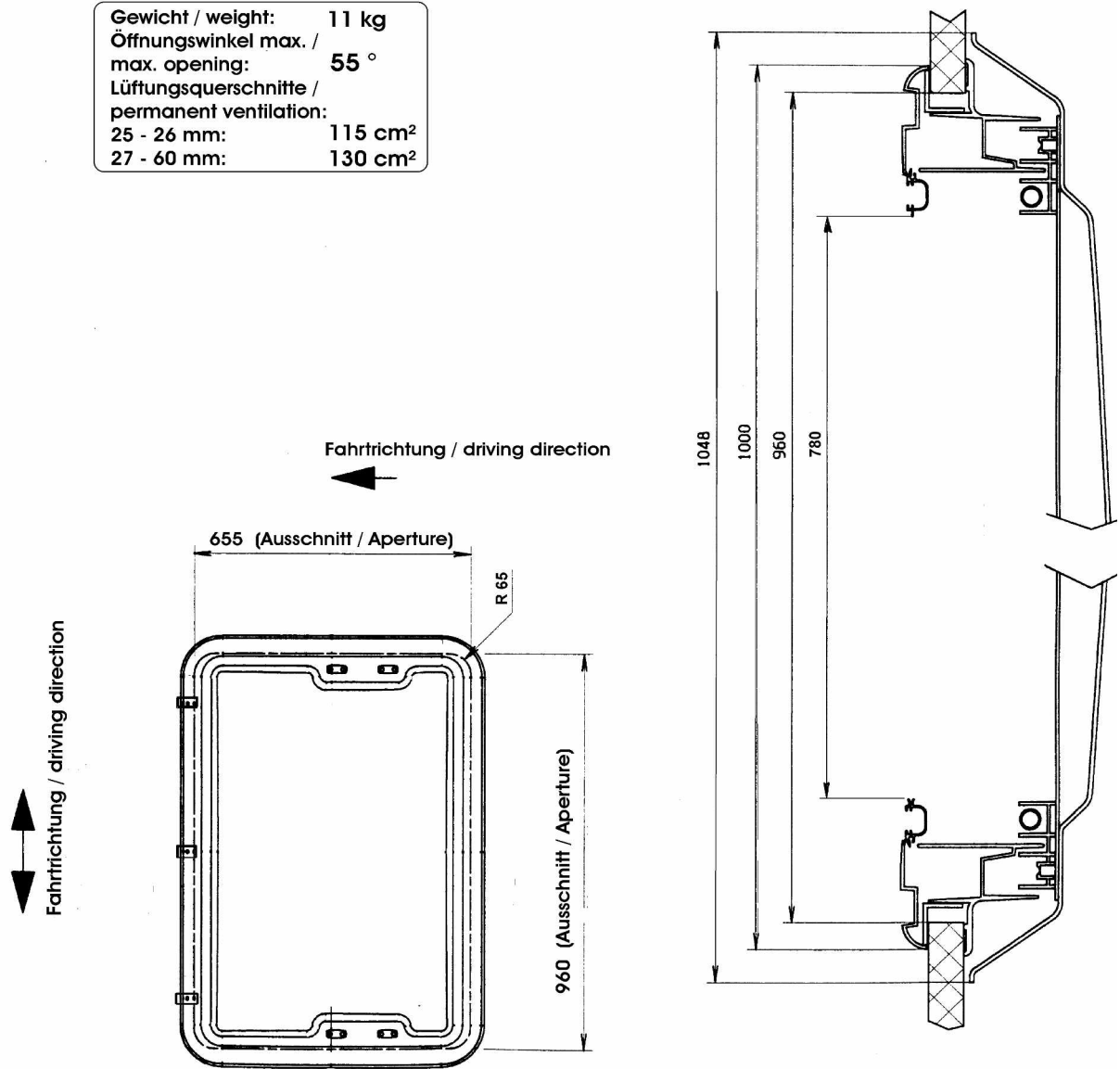
Signature: _____ Date: _____

* = only for manufacturers

Technical Drawing Heki 2



Gewicht / weight:	11 kg
Öffnungswinkel max. / max. opening:	55 °
Lüftungsquerschnitte / permanent ventilation:	
25 - 26 mm:	115 cm ²
27 - 60 mm:	130 cm ²



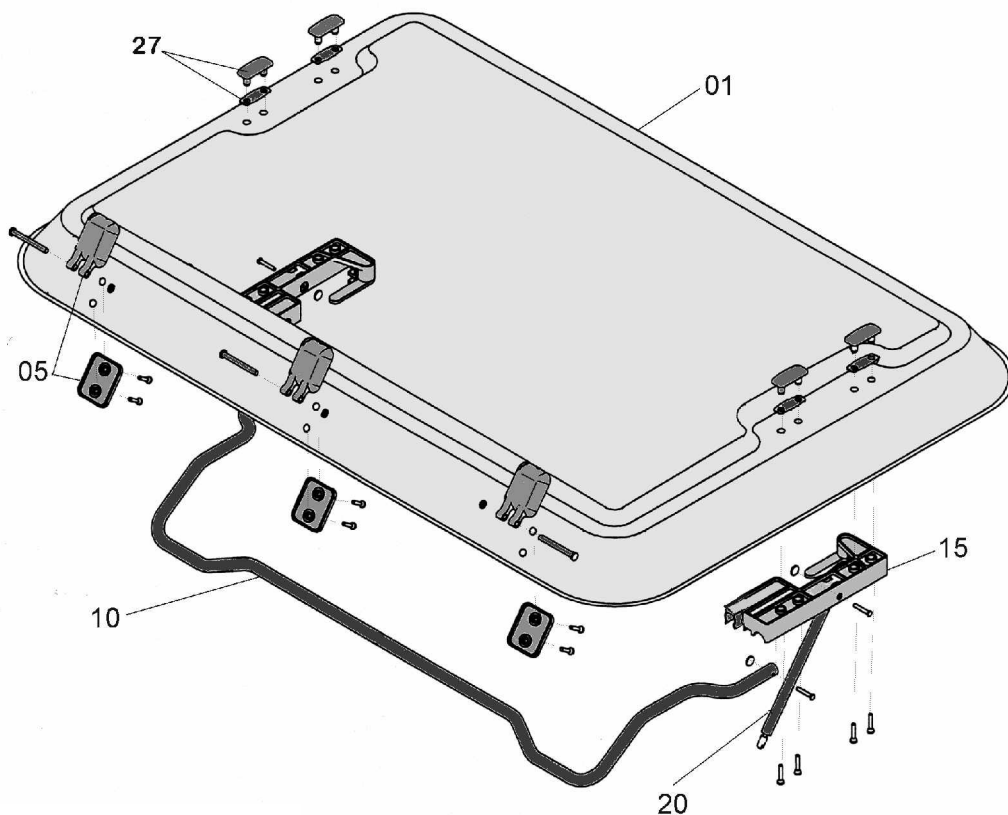
Spare Parts Heki 2

Acrylic Dome

Standard colours	Code
RAL 1015 ivory *	12
RAL 7035 light grey *	09
RAL 9001 cream	25

	Description	Part No.	Pack. Unit
01	Glazing panels without fixing	570E01	1
05	Hinge with fixings	570E05	1
10	Operating bar with fixing	570E10	1
15	Stay support, left and right-hand with clamps	570e35	1 set
20	Stay with fixings	570E20	1
27	Cover	570E27	1 set
30	Glazing panel with (Pos. 01 to 27)	570E30	1

Important: When ordering specify - description, colour, quantity.



* = only for manufacturers

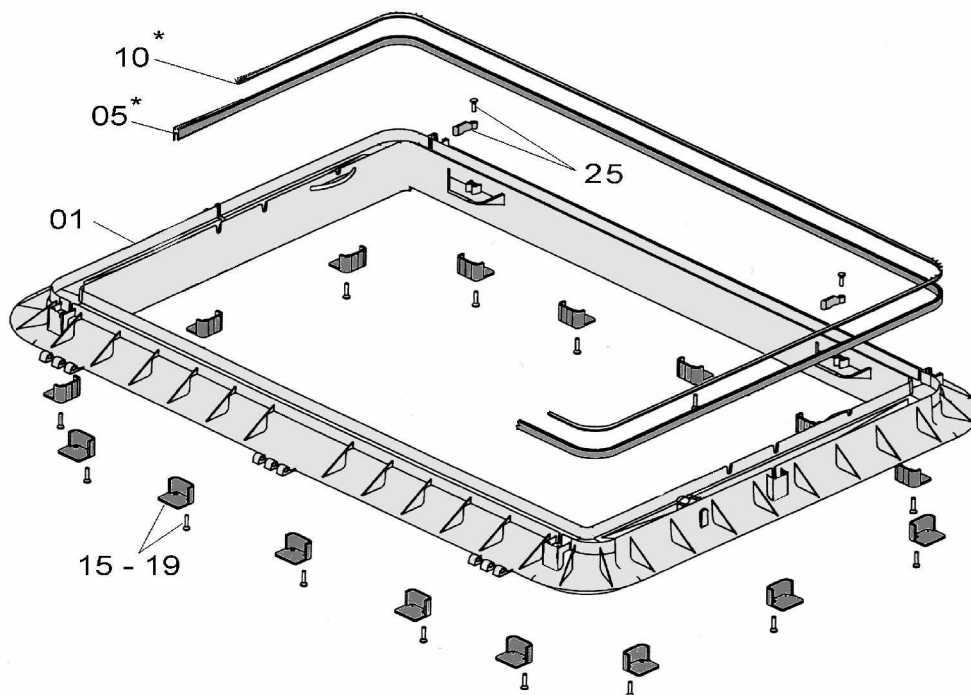
Spare Parts Heki 2

Exterior Frame

Standard colours	Code
RAL 1015 ivory **	12
RAL 7035 light grey **	09
RAL 9001 cream	25

	Description	Part No.	Pack. Unit
01	Exterior frame without fixings	590E01...	1
05	Brush profile*	590E05	1
10	Brush*	590E10	1
15	Fixing with screws (wall thickness 25-32 mm), grey	ZUB1347	1 set
16	Fixing with screws (wall thickness 32-39 mm), black	ZUB1348	1 set
17	Fixing with screws (wall thickness 39-46 mm), yellow	ZUB1349	1 set
18	Fixing with screws (wall thickness 46-53 mm), blue	ZUB1350	1 set
19	Fixing with screws (wall thickness 53-60 mm), red	ZUB1351	1 set
25	Closing brackets for operating bar	590E25	1 set
30	Complete exterior frame (pos. 01/15/25)	590E30...	1

Important: When ordering specify - description, colour, quantity.



* = until 10/98

** = only for manufacturers

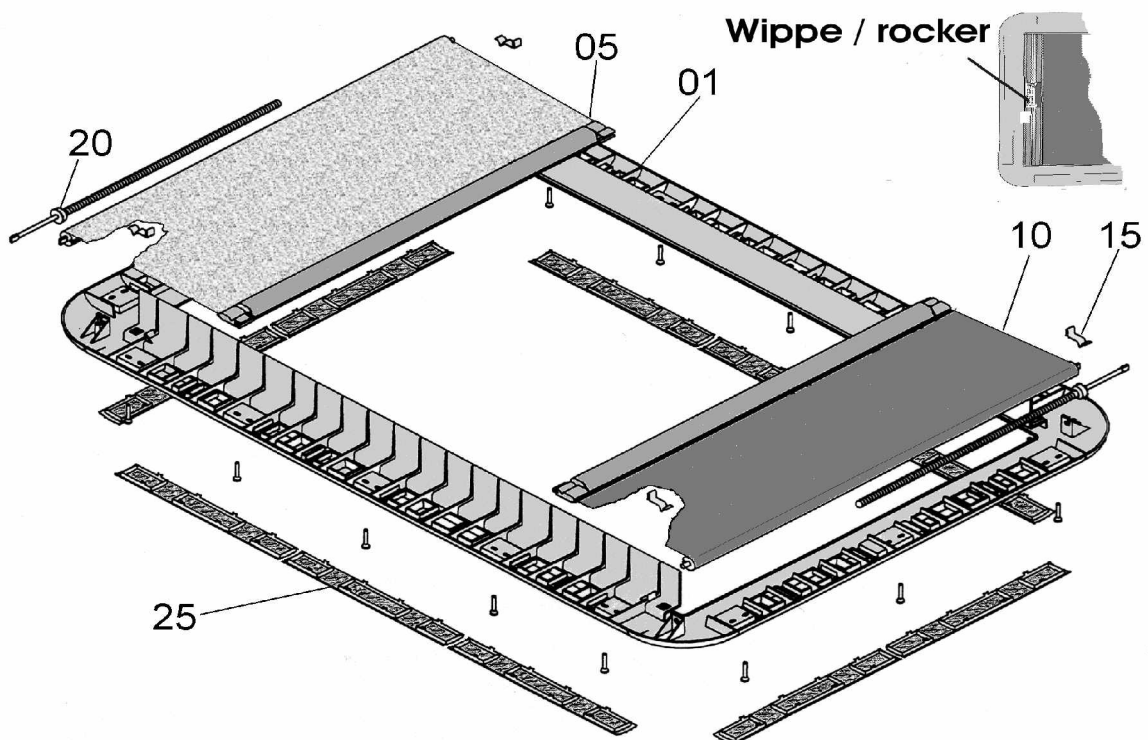
Spare Parts Heki 2

Interior Frame

Standard colours	Code
RAL 1015 ivory *	12
RAL 7035 light grey *	09
RAL 9001 cream	25

	Description	Part No.	Pack. Unit
01	Interior frame with fixing screws	580E01...	1
05	Complete flynet ready to fix **	580E05	1 set
10	Complete blind ready to fix**	580E10...	1 set
15	Holding bracket	580E15	1 set
20	Spring motor	FM0082	1
25	Ventilation profile	560E35...	1 set
30	Complete interior frame (incl. Pos. 01 to 25)	580E30...	1

Important: When ordering specify - description, colour, quantity.



* = only for manufacturers

** = model without locking-seesaw: Exchange of Pos. 05 and 10 at the same time.